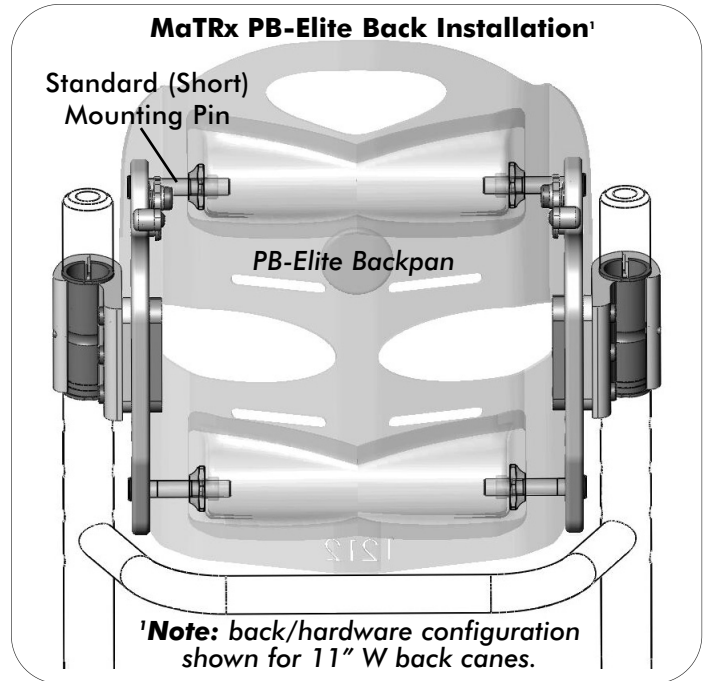
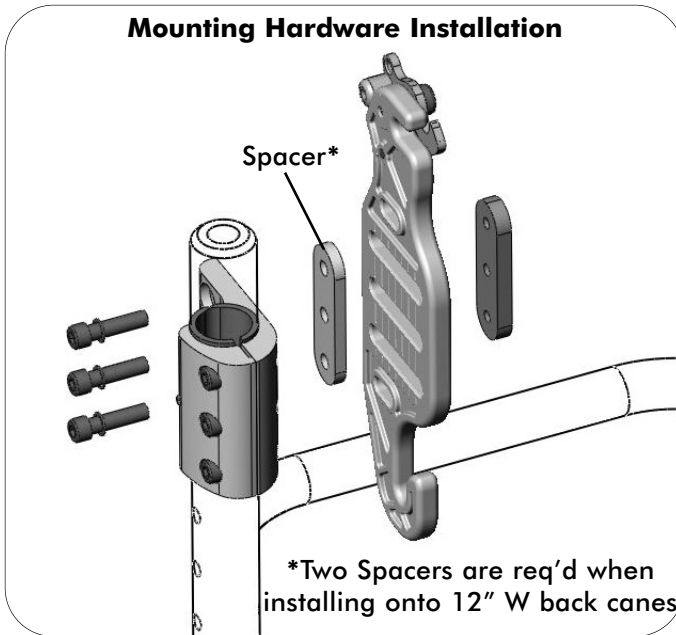


# Installation Instructions: 12W (31cm) MaTRx PB-Elite Backs

## **i Important!**

The following installation instructions are created for use exclusively with our 12" wide MaTRx PB-Elite backs. The design of the 12W PB-elite backpans requires a small modification to the mounting hardware. The hardware configurations will vary depending on the width of the wheelchair back canes. Refer to the instructions and images provided below.



## **INSTALLATION INSTRUCTIONS:**

1. The installation of the 12W MaTRx-PB Elite back will vary depending on the width of the back canes. (Refer to **Figures 1a / 1b** below).

(**NOTE:** Wheelchair dimensions may vary from one manufacturer to the next, the following instructions are provided as a guideline to illustrate typical mounting configurations).

**For 11"W Back Canes:** Install the mounting hardware with a **SINGLE SPACER** per side and utilize the **standard (SHORT) MOUNTING PINS** in the MaTRx PB-Elite Back.

**For 12"W Back Canes:** Install the mounting hardware with **TWO SPACERS** per side and utilize the **LONG MOUNTING PINS** in the MaTRx PB-Elite Back.

**i Important!** please follow the Mounting Pin Set-Up instructions (Hang Tag) provided separately with your MaTRx PB-Elite back.

